

Utility pressure gauges

Model PG120

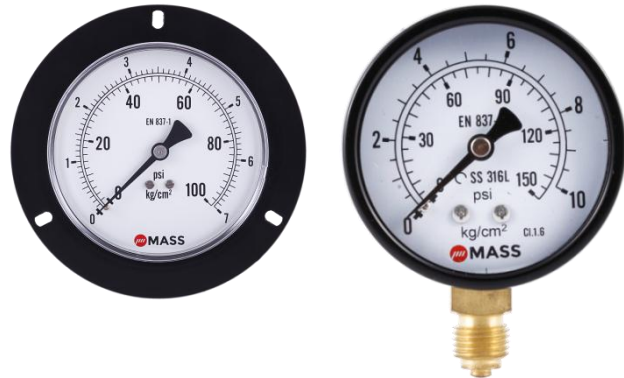
Nominal size: 40 mm (1.5"), 50 mm (2"), 63 mm (2.5")
 ASME B40.100 / EN 837-1 / IS-3624
 Accuracy: Grade B / 2.5% / 2.0%

Features

- Rugged construction
- Protection IP54
- Overload protection 130 %
- Standard dial dual scale (psi, kg/cm²)
- Dry

Ranges

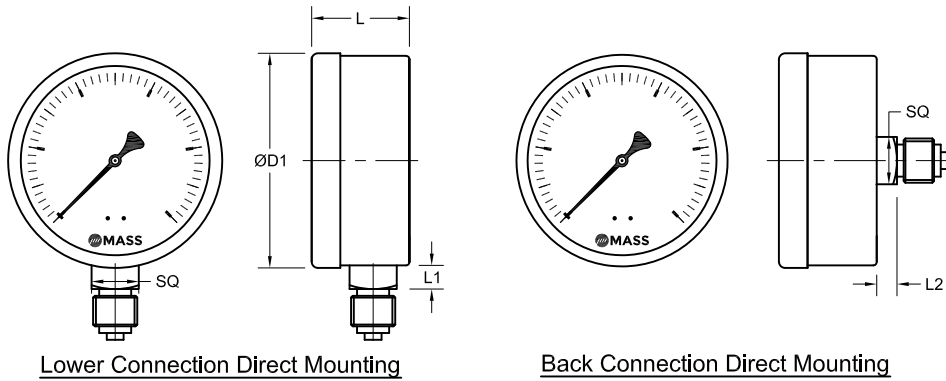
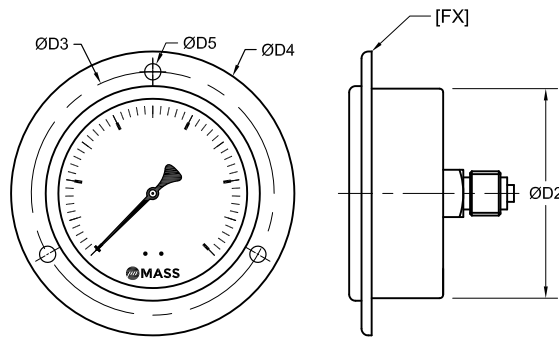
-30 in. Hg ... 0 psi up to 0 ... 6,000 psi
 -1 ... 0 bar up to 0 ... 420 bar & kg/cm²
 -100 ... 0 kPa up to 0 ... 42,000 kPa



Applications

Heating and ventilation
 Machine and apparatus construction
 Air filters and regulators
 Valve positioners and compressors

Technical specification	PG120		
	40	50	63
Dial size in mm	40	50	63
Construction	Open front with push-in ring		
Measuring principle	Bourdon tube		
Range in psi	15 20 30 50 60 100 150 200 250 300 400 500 600 800 1000 1500		
"HG / psi	2000 3000 4000 5000 6000		
Overpressure limit	-30"/0 -30"/15 -30"/30 -30"/60 -30"/100 -30"/150 -30"/200		
Pressure type	130 % F.S., short time.		
Process connection	1/8" NPT / BSP (M)		1/8" 1/4" NPT / BSP (M)
Connection location	Lower, back		
Material			
Pressure connection	Brass, optional stainless steel 316		
Tube	Phosphor bronze, optional stainless steel 316		
Case/ring	Black finished steel case, optional stainless steel case		
Window	Instrument glass, optional polycarbonate cap		
Dial	Aluminum, black markings on white background		
Pointer	Aluminum, black		
Movement	Brass, optional stainless steel		
Accuracy	Grade B (±3-2-3%) / Class 2.5 / Class 2.0 (2.0%)		
Permissible			
Ambient temperature	-40 ... 60 °C (-40 ... 140 °F)		
Medium temperature	Max. 65 °C (Max. 150 °F)		
Storage temperature	-40 ... 65 °C (-40 ... 150 °F)		
Effect	Max. 0,3 % / 10 K		
Protection according	IP54		
Mounting	Standard stem, optional panel, bracket, surface		
Weight dry in gram	60	90	105

General dimensions in mm

Lower Connection Direct Mounting
Back Connection Direct Mounting

Back Connection Front Panel Mounting

DIAL SIZE	40	50	63
ØD1	42	52.5	63.5
ØD2	40	51	62
ØD3	-	60	75
ØD4	-	71	84
ØD5	-	3.6	3.6
L	25	27	28
L1	7	7	7
L2	5	6	6
SQ.	11	14	14

Order information

Size	System Material	Execution	Process connection	Connection orientation	Range	Engineering units	Case Material	Options						
(40) 40mm	(B) Tube phosphor bronze, socket brass (S) 316 tube, 316 socket ¹⁾	(D) dry IP54	(02) 1/4" NPT (M) ²⁾ (01) 1/8" NPT (M) (13) 1/4" BSP (M) ²⁾ (12) 1/8" BSP (M)	(L) Lower (C) Centre back	-30"/ 0 ²⁾ -30"/ 15 ²⁾ -30"/ 30 ²⁾ -30"/ 60 ²⁾ -30"/ 100 ²⁾ -30"/ 150 ²⁾ -30"/ 200 ²⁾	(psi & Bar) Dual scale "Hg / psi & mmHg / kg/cm ²	(=) Standard Steel case black finish (YX) Stainless steel 304 case ⁴⁾	(DA) Dial Marking (ON) Neutral, without logo (UC) U-clamp (FX) Front panel ²⁾ (FW) Surface plate ²⁾ (PC) Polycarbonate cap (CR) Crimp ring						
(50) 50mm														
(63) 63mm														
					0/ 15 ²⁾ 0/ 20 ²⁾ 0/ 30 0/ 50 0/ 60 0/ 100 0/ 150 ²⁾ 0/ 200 ²⁾ 0/ 250 ²⁾ 0/ 300 ²⁾ 0/ 400 ²⁾ 0/ 500 ²⁾ 0/ 600 ²⁾ 0/ 800 ²⁾ 0/ 1000 ²⁾ 0/ 1500 ³⁾ 0/ 2000 ³⁾ 0/ 3000 ³⁾ 0/ 4000 ³⁾ 0/ 5000 ³⁾ 0/ 6000 ³⁾	(psi & kg/cm ²) Dual scale psi & kg/cm ²								
						Equivalent ranges in kPa, MPa, psi, bar and others units available								

1) Only with case material (YX) 2) Not for dial size 40mm 3) Not for dial size 40mm, 50mm 4) Only with system material (S)

How to order

Size	Type	System material	Execution	Process connection	Connection orientation	Range	Engineering unit	Filling/Case material	Option
63	PG120	B	D	02	L	0/60	PSI & KG/CM2	=	CR

Powertech Industries

hemail@powertechin.com - massgauges@gmail.com

www.powertechin.com